



SCANDINAVIAN SEAT SUSPENSION SYSTEMS

[www.seatsuspension.systems](http://www.seatsuspension.systems)

## PRODUCT CATALOGUE 2023



Edition 2



# SCANDINAVIAN SEAT SUSPENSION SYSTEMS

[www.seatsuspension.systems](http://www.seatsuspension.systems)

4S' Heavy Duty seat suspensions and –mounting products are all made of premium marine grade materials.

Un-matched price/quality formula. (*“That’s impossible...”*)

4S' products are seriously engineered tools.

Apart from making boating **safer**, more **comfortable** and **enjoyable** - they also add value to the boat and enhance the look.

They are not bouncing toys.

There are soo many sensitive backs and necks out there.

Our mission is to protect them.

We hope that you will find Your model/s among our 18 product lines below.

# BG- line

For weights 110-170kg / 240-380lb



**Height: 305mm / 12"**

**Slide included:** fore/aft: 120mm / 5"

**Weight:** 16kg / 35lb

**Deck mount area:** 290x225mm / 11,5x9"

**Seat mount area:** 330x315mm / 13x12,5"

(Handle 250mm / 10" from center-line)

- Easy and quick to install.
- Quick setting of pre-load. In seconds.
- Slide handle easily reached while sitting in the seat.
- Handle can be positioned on either side of the unit, decided at assembly.
- Meets ABYC H-31 standards for type AO.

Article number: **BGS**



**Height: 290 / 11,5"**

**Weight:** 13,5g / 30lb

**Deck mount area:** 290x225mm / 11,5x9"

**Seat mount area:** x332x185mm / 13x7"

- Easy and quick to install.
- Quick setting of pre-load. In seconds.
- Meets ABYC H-31 standards for type AO.

Article number: **BGF**

# RIB- line

Mainly for RIBs. Seating height 65cm / 26"



## Seat suspension unit RIB03:

Height: 530mm / 21"

Adjustable pre-load: 50-130kg / 110-285lb

Weight: 13,5kg / 30lb

Deck mount standard: 290x225mm / 11,5x9"

Various deck mount size/shape available.

Seat mount: 330x175mm / 13x7"

- Easy and quick to install.
- Weight resistance can be set on strut. Adjustment key is attached on base plate.
- Suitable for jockey seats.
- Meets ABYC H-31 standards for type AO.

Article number: **RIB03**



## RIB03 Full Set

Total Weight: 16,5kg / 36lb

Seating height: 650mm / 26"

- Frame in 6061T6 aluminium.
- Responsive foam padding.
- High quality marine vinyl.
- Front grab-rail as option.
- Meets ABYC H-31 standards for type AO.

Article number: **RIB03-S**



## RIB04 Full Set

Total Weight: 18kg / 39lb

Seating height: 650mm / 26"

Adjustable pre-load: 50-130kg / 110-285lb

Deck mount: 400x230mm / 15,5x9"

- Quick adjustment for weight resistance.
- More than 30 l / 8 gal of storage space under seat.
- Frame in 6061T6 aluminium.
- Responsive foam padding.
- High quality marine vinyl.
- Front grab-rail as option.
- Meets ABYC H-31 standards for type AO.

Article number: **RIB04-S**

# RR- line

## The new Standard for seating heights around 12"



**Height:** 295-330mm / 11.5-13"

**Swivel included:** 360° in 8 lock positions

**Slide included:** fore/aft: 120mm / 5"

**Adjustable pre-load:** 50-130kg / 110-285lb

**Weight:** 12,5kg / 27lb

**Various deck mount size/shape available.**

**Seat mount:** 330x315mm / 13x12,5"

(Handles 250mm / 10" from center-line)

- Easy and quick to install.
- Handles are reached while sitting in the seat.
- Handles can be positioned on either side of the unit, decided at assembly.
- Weight resistance can be set on strut. Adjustment key is attached on base plate.
- Meets ABYC H-31 standards for type AO.

Article number: **RRW**



**Height:** 285-320mm / 11-12.5"

**Slide included:** fore/aft: 120mm / 5"

**Adjustable pre-load:** 50-130kg / 110-285lb

**Weight:** 10,5kg / 23lb

**Various deck mount size/shape available.**

**Seat mount:** 330x315mm / 13x12,5"

(Handle 250mm / 10" from center-line)

- Easy and quick to install.
- Slide handle is reached while sitting in the seat.
- Handle can be positioned on either side of the unit, decided at assembly.
- Weight resistance can be set on strut. Adjustment key is attached on base plate.
- Meets ABYC H-31 standards for type AO.

Article number: **RRS**



**Height:** 275-310mm / 11-12"

**Adjustable pre-load:** 50-130kg / 110-285lb

**Weight:** 8kg / 18lb

**Various deck mount size/shape available.**

**Seat mount:** 330x180mm / 13x7"

- Easy and quick to install.
- Weight resistance can be set on strut. Adjustment key is attached on base plate.
- Suitable for jockey seats.
- Meets ABYC H-31 standards for type AO.

Article number: **RRF**

# CC- line

## The new Standard for seating heights around 14"



**Height:** 345-380mm / 13,5-15"

**Swivel included:** 360° in 8 lock positions

**Slide included:** fore/aft: 120mm / 5"

**Adjustable pre-load:** 50-130kg / 110-285lb

**Weight:** 14kg / 31lb

**Various deck mount size/shape available.**

**Seat mount:** 330x315mm / 13x12,5"

(Handles 250mm / 10" from center-line)

- Easy and quick to install.
- Handles are reached while sitting in the seat.
- Handles can be positioned on either side of the unit, decided at assembly.
- Weight resistance can be set on strut. Adjustment key is attached on base plate.
- Meets ABYC H-31 standards for type AO.

Article number: **CCW**



**Height:** 335-370mm / 13-14,5"

**Slide included:** fore/aft: 120mm / 5"

**Adjustable pre-load:** 50-130kg / 110-285lb

**Weight:** 12kg / 26lb

**Various deck mount size/shape available.**

**Seat mount:** 330x315mm / 13x12,5"

(Handle 250mm / 10" from center-line)

- Easy and quick to install.
- Slidehandle is reached while sitting in the seat.
- Handle can be positioned on either side of the unit, decided at assembly.
- Weight resistance can be set on strut. Adjustment key is attached on base plate.
- Meets ABYC H-31 standards for type AO.

Article number: **CCS**



**Height:** 325-360mm / 13-14,5"

**Adjustable pre-load:** 50-130kg / 110-285lb

**Weight:** 9,5kg / 21lb

**Various deck mount size/shape available.**

**Seat mount:** 330x180mm / 13x7"

- Easy and quick to install.
- Weight resistance can be set on strut. Adjustment key is attached on base plate.
- Suitable for jockey seats.
- Meets ABYC H-31 standards for type AO.

Article number: **CCF**

# PP- line

## The new Standard for seating heights around 16"



**Height:** 395-440mm / 15,5-17,5"

**Swivel included:** 360° in 8 lock positions

**Slide included:** fore/aft: 120mm / 5"

**Adjustable pre-load:** 50-130kg / 110-285lb

**Weight:** 15kg / 33lb

**Various deck mount size/shape available.**

**Seat mount:** 330x315mm / 13x12,5"

(Handles 250mm / 10" from center-line)

- Easy and quick to install.
- Handles are reached while sitting in the seat.
- Handles can be positioned on either side of the unit, decided at assembly.
- Weight resistance can be set on strut. Adjustment key is attached on base plate.
- Meets ABYC H-31 standards for type AO.

Article number: **PPW**



**Height:** 385-430mm / 15-17"

**Slide included:** fore/aft: 120mm / 5"

**Adjustable pre-load:** 50-130kg / 110-285lb

**Weight:** 13kg / 28lb

**Various deck mount size/shape available.**

**Seat mount:** 330x315mm / 13x12,5"

(Handle 250mm / 10" from center-line)

- Easy and quick to install.
- Slide handle is reached while sitting in the seat.
- Handle can be positioned on either side of the unit, decided at assembly.
- Weight resistance can be set on strut. Adjustment key is attached on base plate.
- Meets ABYC H-31 standards for type AO.

Article number: **PPS**



**Height:** -375-420mm / 14,5-16,5"

**Adjustable pre-load:** 50-130kg / 110-285lb

**Weight:** 10,5g / 23lb

**Various deck mount size/shape available.**

**Seat mount:** 330x185mm / 13x7"

- Easy and quick to install.
- Weight resistance can be set on strut. Adjustment key is attached on base plate.
- Suitable for jockey seats.
- Meets ABYC H-31 standards for type AO.

Article number: **PPF**

# NoKa- line

The new Standard for seating heights around 18"



**Height:** 445-485mm / 17,5-19,5"

**Swivel included:** 360° in 8 lock positions

**Slide included:** fore/aft: 120mm / 5"

**Adjustable pre-load:** 50-130kg / 110-285lb

**Weight:** 16kg / 35lb

**Various deck mount size/shape available.**

**Seat mount:** 330x315mm / 13x12,5"

(Handles 250mm / 10" from center-line)

- Easy and quick to install.
- Handles are reached while sitting in the seat.
- Handles can be positioned on either side of the unit, decided at assembly.
- Weight resistance can be set on strut. Adjustment key is attached on base plate.
- Meets ABYC H-31 standards for type AO.

Article number: **NOKAW**



**Height:** 435-475mm / 17-19"

**Slide included:** fore/aft: 120mm / 5"

**Adjustable pre-load:** 50-130kg / 110-285lb

**Weight:** 13kg / 28lb

**Various deck mount size/shape available.**

**Seat mount:** 330x315mm / 13x12,5"

(Handle 250mm / 10" from center-line)

- Easy and quick to install.
- Slide handle is reached while sitting in the seat.
- Handle can be positioned on either side of the unit, decided at assembly.
- Weight resistance can be set on strut. Adjustment key is attached on base plate.
- Meets ABYC H-31 standards for type AO.

Article number: **NOKAS**



**Height:** 425-465mm / 16,5-18,5"

**Adjustable pre-load:** 50-130kg / 110-285lb

**Weight:** 11,5g / 25lb

**Various deck mount size/shape available.**

**Seat mount:** 330x185mm / 13x7"

- Easy and quick to install.
- Weight resistance can be set on strut. Adjustment key is attached on base plate.
- Suitable for jockey seats.
- Meets ABYC H-31 standards for type AO.

Article number: **NOKAF**



# HR- line

## The Classic – 12”



**Height:** 295-330mm / 11,5-13”

**Swivel included:** 360° in 8 lock positions

**Slide included:** fore/aft: 120mm / 5”

**Adjustable pre-load:** 50-130kg / 110-285lb

**Weight:** 12,5kg / 27lb

**Deck mount:** 375x225mm / 14,5x9”

**Seat mount:** 330x315mm / 13x12,5”

(Handles 250mm / 10” from center-line)

- Easy and quick to install.
- Handles are reached while sitting in the seat.
- Handles can be positioned on either side of the unit, decided at assembly.
- Weight resistance can be set on strut. Adjustment key is attached on base plate.
- Meets ABYC H-31 standards for type AO.

Article number: **HRW**



**Height:** 280-315mm / 11-12,5”

**Slide included:** fore/aft: 120mm / 5”

**Adjustable pre-load:** 50-130kg / 110-285lb

**Weight:** 10,5kg / 23lb

**Deck mount:** 375x225mm / 14,5x9”

**Seat mount:** 330x315mm / 13x12,5”

(Handle 250mm / 10” from center-line)

- Easy and quick to install.
- Slide handle is reached while sitting in the seat.
- Handle can be positioned on either side of the unit, decided at assembly.
- Weight resistance can be set on strut. Adjustment key is attached on base plate.
- Meets ABYC H-31 standards for type AO.

Article number: **HRS**



**Height:** 270-305mm / 11-12”

**Adjustable pre-load:** 50-130kg / 110-285lb

**Weight:** 8kg / 18lb

**Deck mount:** 375x225mm / 14,5x9”

**Seat mount:** 330x185mm / 13x7”

- Easy and quick to install.
- Weight resistance can be set on strut. Adjustment key is attached on base plate.
- Meets ABYC H-31 standards for type AO.

Article number: **HRF**

# TH- line

Adjust for weight setting in seconds – 14"



**Height:** 350mm / 14"

**Swivel included:** 360° in 8 lock positions

**Slide included:** fore/aft: 120mm / 5"

**Adjustable pre-load:** 50-130kg / 110-285lb

**Weight:** 15kg / 33lb

**Various deck mount size/shape available.**

**Seat mount:** 330x315mm / 13x12,5"

(Handles 250mm / 10" from center-line)

- Easy and quick to install.
- All settings are reached while sitting in the seat.
- Handles can be positioned on either side of the unit, decided at assembly.
- Meets ABYC H-31 standards for type AO.

Article number: **THW**



**Height:** 335mm / 13,5"

**Slide included:** fore/aft: 120mm / 5"

**Adjustable pre-load:** 50-130kg / 110-285lb

**Weight:** 13,5kg / 30lb

**Various deck mount size/shape available.**

**Seat mount:** 330x315mm / 13x12,5"

(Handle 250mm / 10" from center-line)

- Easy and quick to install.
- All settings are reached while sitting in the seat.
- Slide handle can be positioned on either side of the unit, decided at assembly.
- Meets ABYC H-31 standards for type AO.

Article number: **THS**



**Height:** 325mm / 13"

**Adjustable pre-load:** 50-130kg / 110-285lb

**Weight:** 11kg / 24b

**Various deck mount size/shape available.**

**Seat mount:** 330x180mm / 13x7"

- Easy and quick to install.
- Weight adjustment is reached while sitting in the seat.
- Suitable for jockey seats.
- Meets ABYC H-31 standards for type AO.

Article number: **THF**

# TM- line

Adjust for weight setting in seconds – 12"



**Height:** 305mm / 12"

**Swivel included:** 360° in 8 lock positions

**Slide included:** fore/aft: 120mm / 5"

**Adjustable pre-load:** 50-130kg / 110-285lb

**Weight:** 14kg / 31lb

**Various deck mount size/shape available.**

**Seat mount:** 330x315mm / 13x12,5"

(Handles 250mm / 10" from center-line)

- Easy and quick to install.
- All settings are reached while sitting in the seat.
- Handles can be positioned on either side of the unit, decided at assembly.
- Meets ABYC H-31 standards for type AO.

Article number: **TMW**



**Height:** 295mm / 11,5"

**Slide included:** fore/aft: 120mm / 5"

**Adjustable pre-load:** 50-130kg / 110-285lb

**Weight:** 12,5kg / 28lb

**Various deck mount size/shape available.**

**Seat mount:** 330x315mm / 13x12,5"

(Handle 250mm / 10" from center-line)

- Easy and quick to install.
- All settings are reached while sitting in the seat.
- Slide handle can be positioned on either side of the unit, decided at assembly.
- Meets ABYC H-31 standards for type AO.

Article number: **TMS**



**Height:** 285mm / 11"

**Adjustable pre-load:** 50-130kg / 110-285lb

**Weight:** 10kg / 22lb

**Various deck mount size/shape available.**

**Seat mount:** 330x180mm / 13x7"

- Easy and quick to install.
- Weight adjustment is reached while sitting in the seat.
- Suitable for jockey seats.
- Meets ABYC H-31 standards for type AO.

Article number: **TMF**

# TL- line

## Sport model with weight resistance quick-set – 11”



**Height:** 275mm / 11”

**Swivel included:** 360° in 8 lock positions

**Slide included:** fore/aft: 120mm / 5”

**Adjustable pre-load:** 50-130kg / 110-285lb

**Weight:** 13,5kg / 30lb

**Various deck mount size/shape available.**

**Seat mount:** 330x315mm / 13x12,5”

(Handles 250mm / 10” from center-line)

- Easy and quick to install.
- All settings are reached while sitting in the seat.
- Handles can be positioned on either side of the unit, decided at assembly.
- Meets ABYC H-31 standards for type AO.

Article number: **TLW**



**Height:** 265mm / 10,5”

**Slide included:** fore/aft: 120mm / 5”

**Adjustable pre-load:** 50-130kg / 110-285lb

**Weight:** 11,5kg / 25lb

**Various deck mount size/shape available.**

**Seat mount:** 330x315mm / 13x12,5”

(Handle 250mm / 10” from center-line)

- Easy and quick to install.
- All settings are reached while sitting in the seat.
- Slide handle can be positioned on either side of the unit, decided at assembly.
- Meets ABYC H-31 standards for type AO.

Article number: **TLS**



**Height:** 265mm / 10,5”

**Adjustable pre-load:** 50-130kg / 110-285lb

**Weight:** 9kg / 20lb

**Various deck mount size/shape available.**

**Seat mount:** 330x180mm / 13x7”

- Easy and quick to install.
- Weight adjustment is reached while sitting in the seat.
- Suitable for jockey seats.
- Meets ABYC H-31 standards for type AO.

Article number: **TLF**

# XH- line

## The super sturdy 14" original



**Height:** 345-395mm / 13,5-15,5"

**Swivel included:** 360° in 8 lock positions

**Slide included:** fore/aft: 120mm / 5"

**Adjustable pre-load:** 50-130kg / 110-285lb

**Weight:** 14kg / 31lb

**Deck mount:** 375x225mm / 14,5x9"

**Seat mount:** 330x315mm / 13x12,5"

(Handles 250mm / 10" from center-line)

- Easy and quick to install.
- Easily accessible Slide & Swivel handles.
- Handles can be positioned on either side of the unit, decided at assembly.
- Weight resistance can be set on strut. Adjustment key is attached on base plate.
- Meets ABYC H-31 standards for type AO.

Article number: **XHW**



**Height:** 320-370mm / 12,5-14,5"

**Slide included:** fore/aft: 120mm / 5"

**Adjustable pre-load:** 50-130kg / 110-285lb

**Weight:** 11,5kg / 25lb

**Deck mount:** 375x225mm / 14,5x9"

**Seat mount:** 330x315mm / 13x12,5"

(Handle 250mm / 10" from center-line)

- Easy and quick to install.
- Easily accessible Slide handle.
- Handle can be positioned on either side of the unit, decided at assembly.
- Weight resistance can be set on strut. Adjustment key is attached on base plate.
- Meets ABYC H-31 standards for type AO.

Article number: **XHS**



**Height:** 305-355mm / 12-14"

**Adjustable pre-load:** 50-130kg / 110-285lb

**Weight:** 8,5g / 18lb

**Deck mount:** 375x225mm / 14,5x9"

**Seat mount:** 330x185mm / 13x7"

- Easy and quick to install.
- Weight resistance can be set on strut. Adjustment key is attached on base plate.
- Suitable for jockey seats.
- Meets ABYC H-31 standards for type AO.

Article number: **XHF**

# XL- line

## The super sturdy 12" original



**Height:** 295-330mm / 11,5-13"

**Swivel included:** 360° in 8 positions

**Slide included:** fore/aft: 120mm / 5"

**Adjustable pre-load:** 50-130kg / 110-285lb

**Weight:** 13kg / 29lb

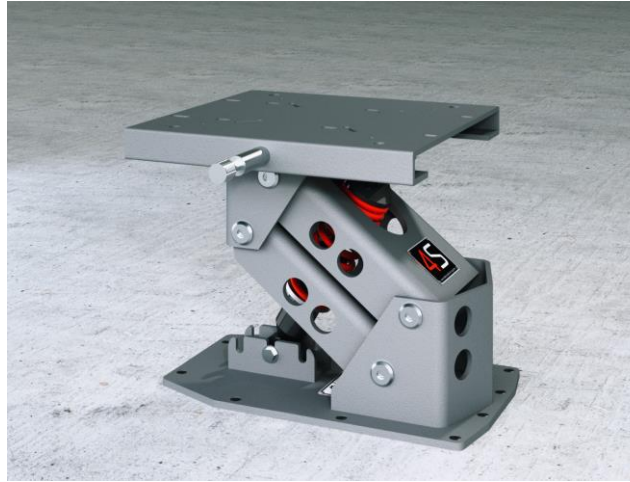
**Deck mount:** 375x225mm / 14,5x9"

**Seat mount:** 330x315mm / 13x12,5"

(Handles 250mm / 10" from center-line)

- Easy and quick to install.
- Handles are reached while sitting in the seat.
- Handles can be positioned on either side of the unit, decided at assembly.
- Weight resistance can be set on strut. Adjustment key is attached on base plate.
- Meets ABYC H-31 standards for type AO.

Article number: **XLW**



**Height:** 270-305mm / 10,5-12"

**Slide included:** fore/aft: 120mm / 5"

**Adjustable pre-load:** 50-130kg / 110-285lb

**Weight:** 10,5kg / 23lb

**Deck mount:** 375x225mm / 14,5x9"

**Seat mount:** 330x315mm / 13x12,5"

(Handle 250mm / 10" from center-line)

- Easy and quick to install.
- Slide handle is reached while sitting in the seat.
- Handle can be positioned on either side of the unit, decided at assembly.
- Weight resistance can be set on strut. Adjustment key is attached on base plate.
- Meets ABYC H-31 standards for type AO.

Article number: **XLS**



**Height:** 255-290mm / 10-11,5"

**Adjustable pre-load:** 50-130kg / 110-285lb

**Weight:** 8kg / 18lb

**Deck mount:** 375x225mm / 14,5x9"

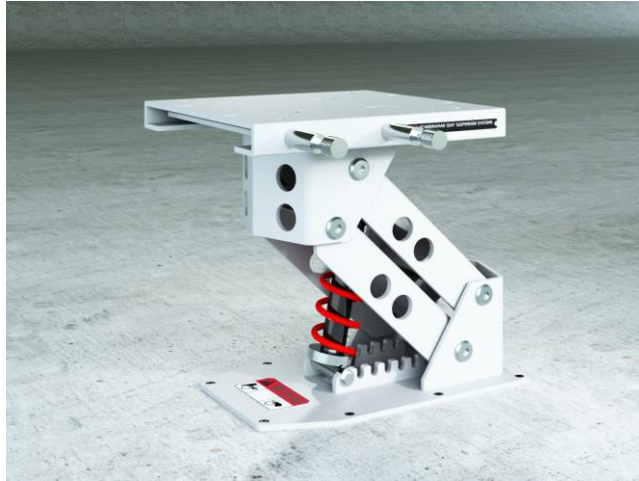
**Seat mount:** 330x185mm / 13x7"

- Easy and quick to install.
- Weight resistance can be set on strut. Adjustment key is attached on base plate.
- Suitable for jockey seats.
- Meets ABYC H-31 standards for type AO.

Article number: **XLF**

# KM- line

## Straight - 350mm / 14" height



**Height:** 355mm / 14"

**Swivel included:** 360° in 8 lock positions

**Slide included:** fore/aft: 120mm / 5"

**Adjustable pre-load:** 50-130kg / 110-285lb

**Weight:** 12kg / 26lb

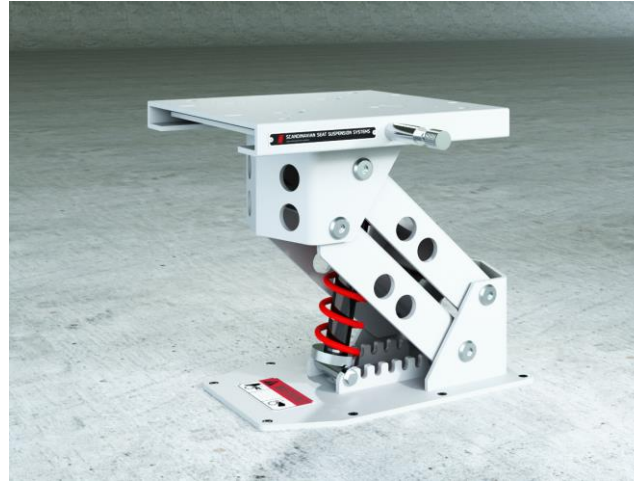
**Various deck mount size/shape available.**

**Seat mount:** 330x315mm / 13x12,5"

(Handles 250mm / 10" from center-line)

- Easy and quick to install.
- Handles are reached while sitting in the seat.
- Handles can be positioned on either side of the unit, decided at assembly.
- Weight resistance is set by adjusting angle of shock mitigation unit.
- Meets ABYC H-31 standards for type AO.

Article number: **KMW**



**Height:** 345mm / 13,5"

**Slide included:** fore/aft: 120mm / 5"

**Adjustable pre-load:** 50-130kg / 110-285lb

**Weight:** 10kg / 22lb

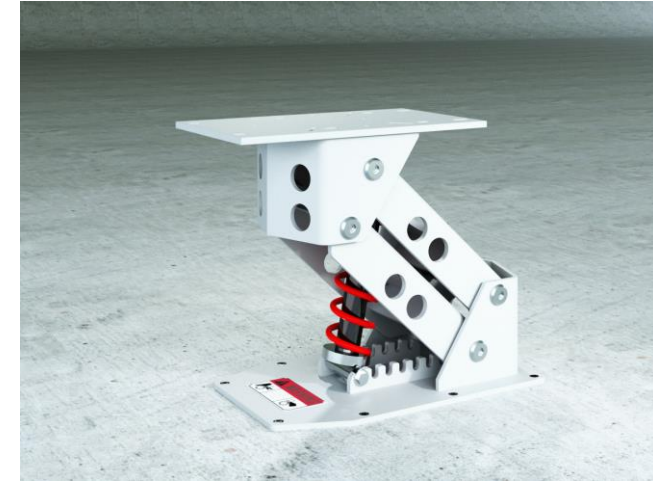
**Various deck mount size/shape available.**

**Seat mount:** 330x315mm / 13x12,5"

(Handle 250mm / 10" from center-line)

- Easy and quick to install.
- Slide handle is reached while sitting in the seat.
- Handle can be positioned on either side of the unit, decided at assembly.
- Weight resistance is set by adjusting angle of shock mitigation unit.
- Meets ABYC H-31 standards for type AO.

Article number: **KMS**



**Height:** 330mm / 13"

**Adjustable pre-load:** 50-130kg / 110-285lb

**Weight:** 8kg / 18lb

**Various deck mount size/shape available.**

**Seat mount:** 330x185mm / 13x7"

- Easy and quick to install.
- Weight resistance is set by adjusting angle of shock mitigation unit.
- Suitable for jockey seats.
- Meets ABYC H-31 standards for type AO.

Article number: **KMF**

# EM- line

## Straight – 315mm / 12,5" height



**Height:** 315mm / 12,5"

**Swivel included:** 360° in 8 lock positions

**Slide included:** fore/aft: 120mm / 5"

**Adjustable pre-load:** 50-130kg / 110-285lb

**Weight:** 12kg / 26lb

**Various deck mount size/shape available.**

**Seat mount:** 330x315mm / 13x12,5"

(Handles 250mm / 10" from center-line)

- Easy and quick to install.
- Handles are reached while sitting in the seat.
- Handles can be positioned on either side of the unit, decided at assembly.
- Weight resistance is set by adjusting angle of shock mitigation unit.
- Meets ABYC H-31 standards for type AO.

Article number: **EMW**



**Height:** 305mm / 12"

**Slide included:** fore/aft: 120mm / 5"

**Adjustable pre-load:** 50-130kg / 110-285lb

**Weight:** 10kg / 22lb

**Various deck mount size/shape available.**

**Seat mount:** 330x315mm / 13x12,5"

(Handle 250mm / 10" from center-line)

- Easy and quick to install.
- Slide handle is reached while sitting in the seat.
- Handle can be positioned on either side of the unit, decided at assembly.
- Weight resistance is set by adjusting angle of shock mitigation unit.
- Meets ABYC H-31 standards for type AO.

Article number: **EMS**



**Height:** 295mm / 11.5"

**Adjustable pre-load:** 50-130kg / 110-285lb

**Weight:** 8kg / 18lb

**Various deck mount size/shape available.**

**Seat mount:** 330x185mm / 13x7"

- Easy and quick to install.
- Weight resistance is set by adjusting angle of shock mitigation unit.
- Suitable for jockey seats.
- Meets ABYC H-31 standards for type AO.

Article number: **EMF**



# LM- line

## Straight – 260mm / 10,5" height



**Height:** 260mm / 10,5"

**Swivel included:** 360° in 8 lock positions

**Slide included:** fore/aft: 120mm / 5"

**Adjustable pre-load:** 50-130kg / 110-285lb

**Weight:** 11kg / 24lb

**Various deck mount size/shape available.**

**Seat mount:** 330x315mm / 13x12,5"

(Handles 250mm / 10" from center-line)

- Easy and quick to install.
- Handles are reached while sitting in the seat.
- Handles can be positioned on either side of the unit, decided at assembly.
- Weight resistance is set by adjusting angle of shock mitigation unit.
- Meets ABYC H-31 standards for type AO.

Article number: **LMW**



**Height:** 250mm / 10"

**Slide included:** fore/aft: 120mm / 5"

**Adjustable pre-load:** 50-130kg / 110-285lb

**Weight:** 9,5kg / 21lb

**Various deck mount size/shape available.**

**Seat mount:** 330x315mm / 13x12,5"

(Handle 250mm / 10" from center-line)

- Easy and quick to install.
- Slide handle is reached while sitting in the seat.
- Handle can be positioned on either side of the unit, decided at assembly.
- Weight resistance is set by adjusting angle of shock mitigation unit.
- Meets ABYC H-31 standards for type AO.

Article number: **LMS**



**Height:** 240mm / 9,5"

**Adjustable pre-load:** 50-130kg / 110-285lb

**Weight:** 7,5g / 16lb

**Various deck mount size/shape available.**

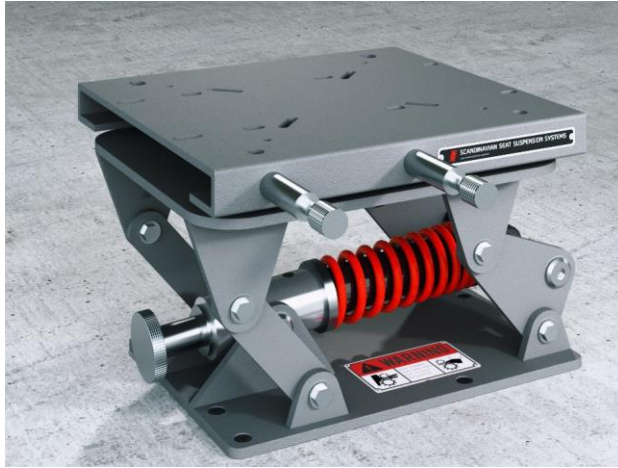
**Seat mount:** 330x185mm / 13x7"

- Easy and quick to install.
- Weight resistance is set by adjusting angle of shock mitigation unit.
- Suitable for jockey seats.
- Meets ABYC H-31 standards for type AO.

Article number: **LMF**

# MP- line

Set weight swiftly at 200mm / 8" height



**Height:** 220mm / 8,5"

**Swivel included:** 360° in 8 lock positions

**Slide included:** fore/aft: 120mm / 5"

**Adjustable pre-load:** 50-130kg / 110-285lb

**Weight:** 13kg / 28lb

**Deck mount:** 330x230mm / 13x9"

**Seat mount:** 330x315mm / 13x12,5"

(Handles 250mm / 10" from center-line)

- Easy and quick to install.
- All settings are reached while sitting in the seat.
- Handles can be positioned on either side of the unit, decided at assembly.
- Easy-reach adjustment wheel for setting weight resistance.
- Meets ABYC H-31 standards for type AO.

Article number: **MPW**



**Height:** 190mm / 7,5"

**Slide included:** fore/aft: 120mm / 5"

**Adjustable pre-load:** 50-130kg / 110-285lb

**Weight:** 11,5kg / 25lb

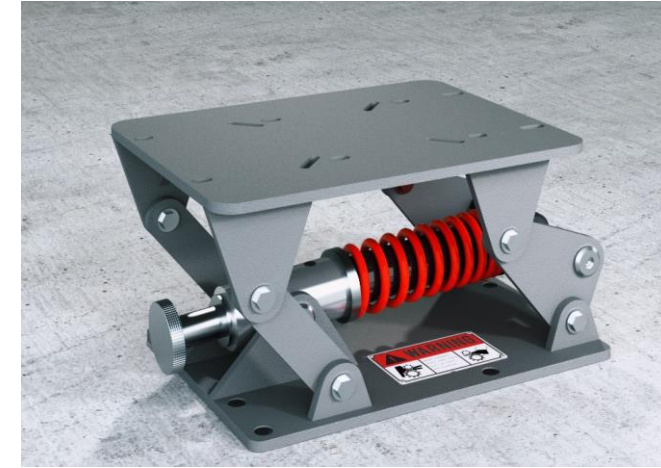
**Deck mount:** 330x230mm / 13x9"

**Seat mount:** 330x315mm / 13x12,5"

(Handle 250mm / 10" from center-line)

- Easy and quick to install.
- All settings are reached while sitting in the seat.
- Slide handle can be positioned on either side of the unit, decided at assembly.
- Easy-reach adjustment wheel for setting weight resistance.
- Meets ABYC H-31 standards for type AO.

Article number: **MPS**



**Height:** 175mm / 7"

**Adjustable pre-load:** 50-130kg / 110-285lb

**Weight:** 9kg / 20lb

**Deck mount:** 330x230mm / 13x9"

**Seat mount:** 330x250mm / 13x10"

- Easy and quick to install.
- Adjustment wheel for setting weight pre-load is reached while sitting in the seat.
- Meets ABYC H-31 standards for type AO.

Article number: **MPF**

# VL- line

## Semi-suspension for normal flat-mounts



**Height:** 95mm / 4"

**Swivel included:** 360° in 8 lock positions

**Slide included:** fore/aft: 120mm / 5"

**Weight:** 8,5kg / 19lb

**Adjustable for weights:** 50-130kg / 110-285lb

**Deck mount:** 330x230mm/13x9"

**Seat mount:** 330x315mm/13x12,5"

(Handles 250mm / 10" from center-line)

- Heavy Duty Low Profile shock absorbing unit.
- Easy and quick to install. Either directly on console/deck, or between seat and standard size pedestal - and benefit from possibly existing height adjustment.
- Weight adjustment by moving or adding damping EPDM profiles. No tools needed.
- Handles are reached while sitting in the seat.
- Handles can be positioned on either side of the unit, decided at installation.
- Meets ABYC H-31 standards for type AO.

Article number: **VLW**



**Height:** 75mm / 3"

**Slide included:** fore/aft: 120mm / 5"

**Weight:** 6kg / 13lb

**Adjustable for weights:** 50-130kg / 110-285lb

**Deck mount:** 330x230mm/13x9"

**Seat mount:** 330x315mm/13x12,5"

(Handle 250mm / 10" from center-line)

- Heavy Duty Low Profile shock absorbing unit.
- Easy and quick to install. Either directly on console/deck, or between seat and standard size pedestal - and benefit from possibly existing swivel and height adjustment.
- Weight adjustment by moving or adding damping EPDM profiles. No tools needed.
- Handle is reached while sitting in the seat.
- Handle can be positioned on either side of the unit, decided at installation.
- Meets ABYC H-31 standards for type AO.

Article number: **VLW**



**Height:** 60mm / 2,5"

**Weight:** 4kg / 9lb

**Adjustable for weights:** 50-130kg / 110-285lb

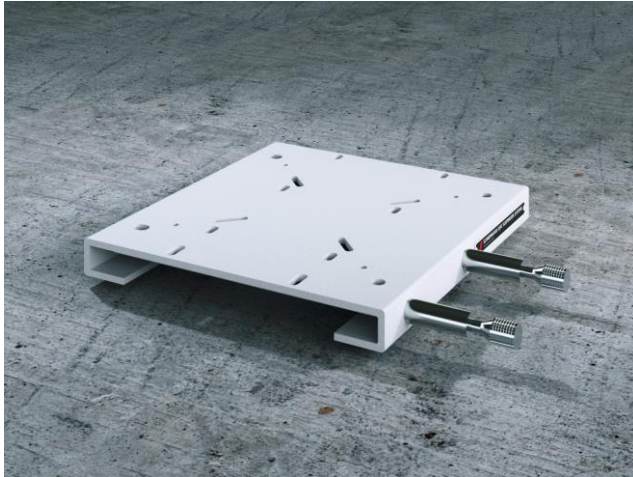
**Deck mount:** 330x230mm/13x9"

**Seat mount:** 330x250mm/13x10"

- Heavy Duty Low Profile shock absorbing unit.
- Easy and quick to install. Either directly on console/deck, or between seat and standard size pedestal - and benefit from possibly existing swivel, slide and height adjustment.
- Weight adjustment by moving or adding damping EPDM profiles. No tools needed.
- Meets ABYC H-31 standards for type AO.

Article number: **VLF**

# FP- line Very solid Swivel & Slide - below 50mm / 2"



**Height:** 45mm / 1"3/4

**Swivel included:** 360° in 8 lock positions

**Slide included:** fore/aft: 120mm / 5"

**Weight:** 5,5kg / 12lb

**Deck mount:** Ø190mm / 7,5"

**Deck mount holes:** Ø160mm / 6"

**Seat mount:** 330x315mm / 13x12,5"

(Handles 250mm / 10" from center-line)

- Easy and quick to install.
- Handles are reached while sitting in the seat.
- Handles can be positioned on either side of the unit, decided at assembly.
- Meets ABYC H-31 standards for type AO.

Article number: **FPW**



**Height:** 39mm / 1,5"

**Slide included:** fore/aft: 120mm / 5"

**Weight:** 4,5kg / 10lb

**Deck mount:** Ø190mm / 7,5"

**Deck mount holes:** Ø160mm / 6"

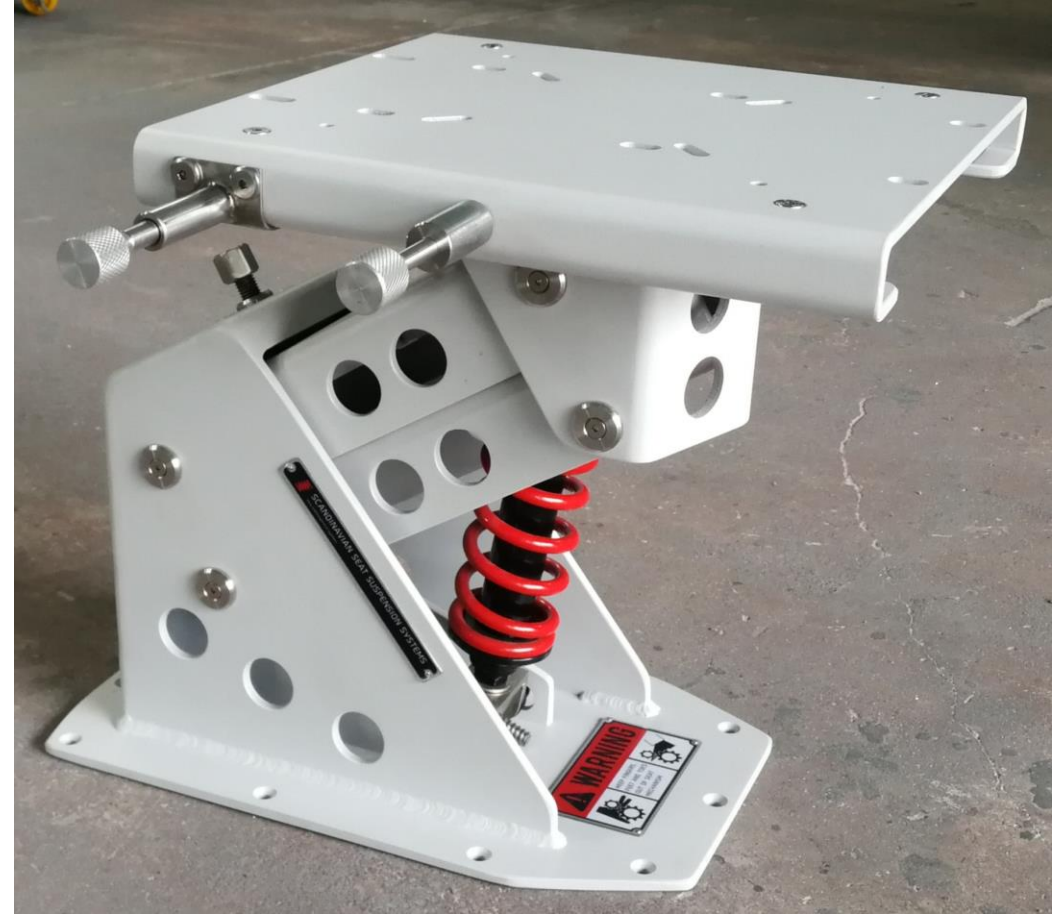
**Seat mount:** 330x315mm / 13x12,5"

(Handle 250mm / 10" from center-line)

- Easy and quick to install.
- Handle is reached while sitting in the seat.
- Handle can be positioned on either side of the unit, decided at assembly.
- Meets ABYC H-31 standards for type AO.

Article number: **FPS**

# Color options



BLACK is standard powdercoating color. SILVER and WHITE are options on all products, and available on orders exceeding the equivalent of 100pcs of Shock Mitigation Seat Base units. Other colors within the AkzoNobel Interpon D2525 range CAN be arranged, following agreement.

# Pedestals and inserts

**Aluminium pedestal**, in 6mm / 1/4" aluminium, to achieve higher fixed seating position.

To be mounted between the boat deck and Shock Mitigation Base bottom plate.  
Suitable for jockey seats, or boats where a high seating is required.

**Standard height starts from 50mm/2" and up.**

Length: 400mm/16"

Width: 350mm/14"

**Two versions:**

- **PedA-X**, can NOT accommodate Fixed Footrest

Article code: **PedA-X** (+height in mm, for example "PedA-X 200")

- **PedA-F**, prepared for Fixed Footrest. 35mm/1,5" longer

Article code: **PedA-F** (+height)



**Deck inserts** – stainless steel - for installations where a good grip of screws in the deck cannot be otherwise guaranteed.

- Suitable for GRP decks with a minimum thickness of 5mm / 3/16"

- Inserted with hex-key after hole is drilled

For screw size M6

Length: 12mm / 1/2"

Hex key size: H6

Pre-drill hole  $\varnothing$ 10mm / 3/8"

Article code: **DI-6**



# Grab rails and Footrests



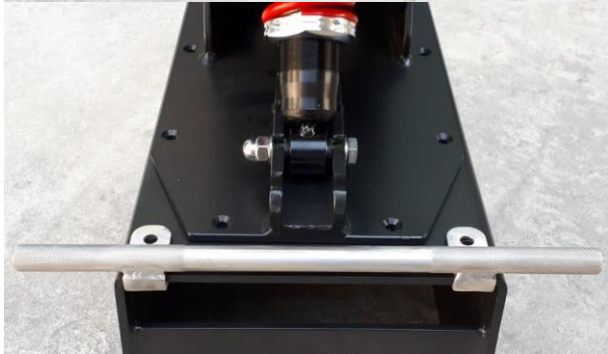
**Grab rail** - for RIB03 Set or RIB04 Set, where units are mounted as sole passenger seats, front-mounts in a row, or other places where an additional grab support is desirable.

Powdercoated aluminium.

Fastening elements (M10 / 3/8") are included in the product package.

Article code for RIB03 Set: **GR3**

Article code for RIB04 Set: **GR4**



**Fixed footrest** – stainless steel; when Shock Mitigation Base is mounted on Pedestal (PedA-F), for constant foot support in resting seat position.

Round shape with knurling on outer part – for optimal grip

Standard width is 350mm/14", but can be made different even in small volumes.

To be through-mounted in designated holes on the front outer part of the PedA-F.  
Fastening elements are NOT included in the product package.

(M8 / 1/3" size screws)

Article code: **FRR**



**Folding footrest** - stainless steel; to give a more comfortable seating position when Shock Mitigation Base is mounted on Pedestal, or other raiser box.

Oval shaped footrest 125x80mm / 5x3" with rough diamond pattern - for optimal grip.

Bolts with M6 / 1/4" countersank screws. NOT included.

Each footrest can carry a load of 120kg / 255lb.

Article code: **FRF**